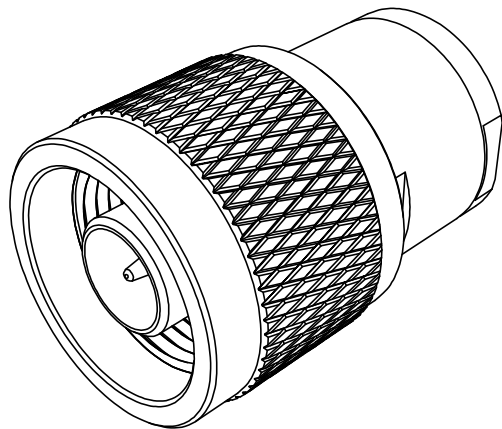
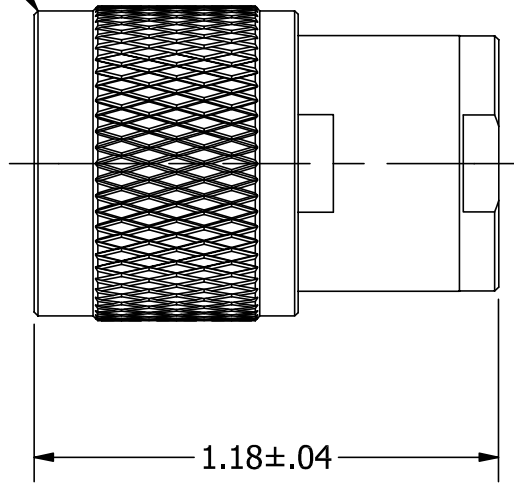


N MALE



REV	ECN	DATE	BY	APPR
-	ISSUED	7-21-2023	JZ	TRS



JFW INDUSTRIES, INC.

www.jfwindustries.com

PH: 317-887-1340

MATERIAL	BODY: BRASS / CONTACT: BRASS	PROPRIETARY INFORMATION
FINISH	BODY: TRI-METAL ALLOY / CONTACT: GOLD	ALL SURFACES ARE TO BE FREE OF BURRS, PITS & SCRATCHES
MODEL	50T-701 N M	TOLERANCES .XX±.010 .XXX±.005 XX°±.5°
DESCRIPTION	2 WATT TERMINATION	DWG # 092-10112

SCALE X2