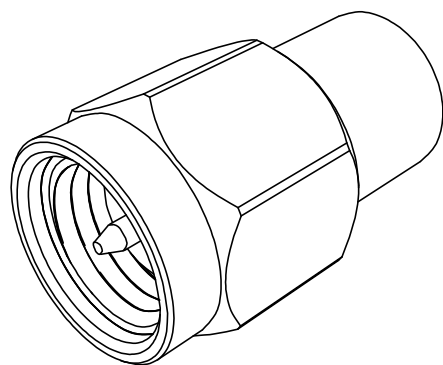
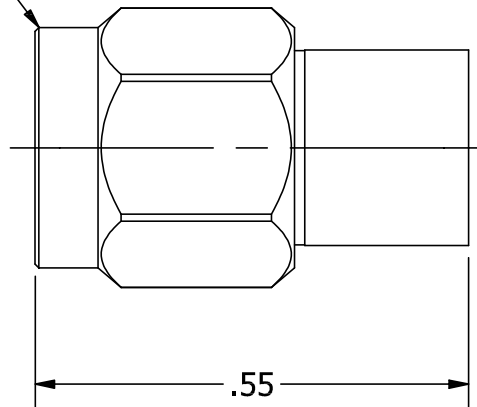


SMA MALE



REV	ECN	DATE	BY	APPR
-	ISSUED	7-17-2023	GM	JZ



JFW INDUSTRIES, INC.

www.jfwindustries.com

PH: 317-887-1340

MATERIAL	BRASS	PROPRIETARY INFORMATION
FINISH	GOLD	ALL SURFACES ARE TO BE FREE OF BURRS, PITS & SCRATCHES
MODEL	50T-XXX	TOLERANCES .XX±.010 .XXX±.005 XX°±.5°
DESCRIPTION	1 WATT TERMINATION	DWG # 092-10098

SCALE x4