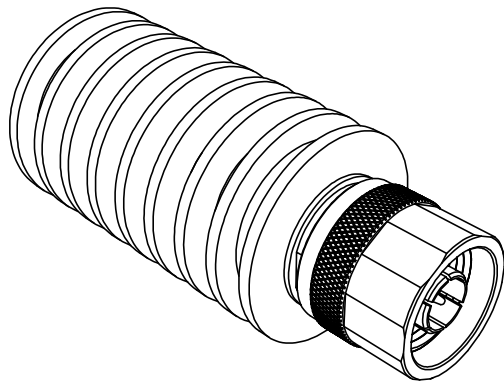
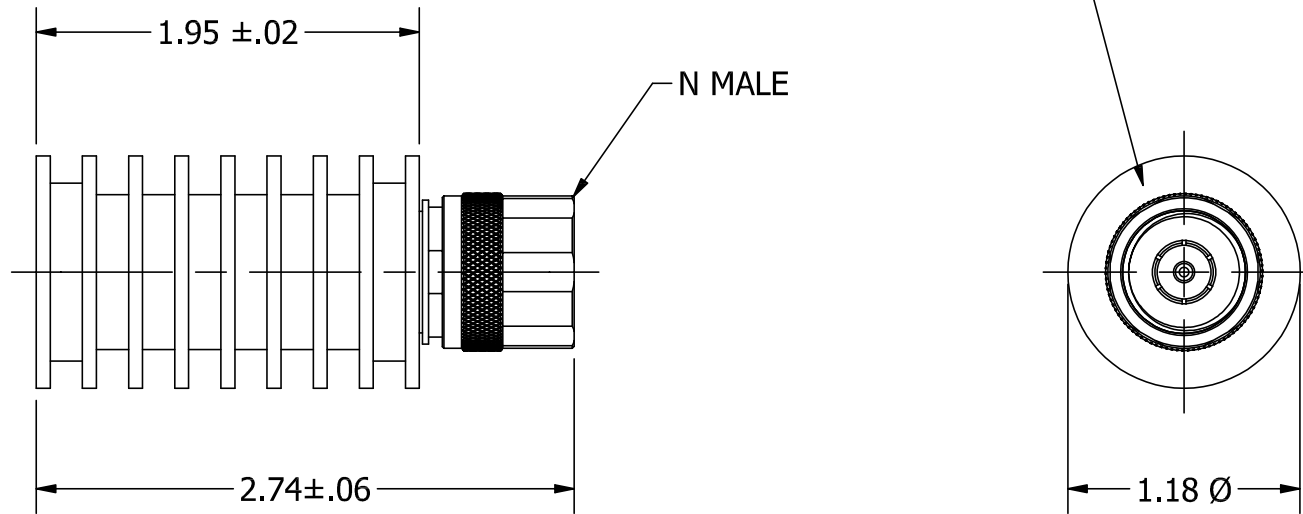



THIS END TO BE MARKED PER MODEL



| REV | ECN    | DATE      | BY | APPR |
|-----|--------|-----------|----|------|
| -   | ISSUED | 7-19-2023 | JZ | TRS  |
| A   | 32900  | 10-4-2023 | GM | JZ   |
|     |        |           |    |      |
|     |        |           |    |      |
|     |        |           |    |      |
|     |        |           |    |      |
|     |        |           |    |      |
|     |        |           |    |      |
|     |        |           |    |      |
|     |        |           |    |      |

|   |  |  |  |
|---|--|--|--|
|  |  | <b>JFW INDUSTRIES, INC.</b>                                      |  |
|   |  | <a href="http://www.jfwindustries.com">www.jfwindustries.com</a> |  |
| MATERIAL BODY: ALUMINUM / CONNECTOR: BRASS  |  | PROPRIETARY INFORMATION  |  |
| FINISH BODY: BLACK ANODIZE / CONNECTOR: TRI-METAL ALLOY                               |  | ALL SURFACES ARE TO BE FREE OF BURRS, PITS & SCRATCHES           |  |
| MODEL 50T-698 N M   |  | SCALE FULL   |  |
| DESCRIPTION 10 WATT TERMINATION   |  | TOLERANCES .XX±.010 .XXX±.005 XX°±.5°                            |  |
|   |  | DWG # 092-10100  |  |

PH: 317-887-1340