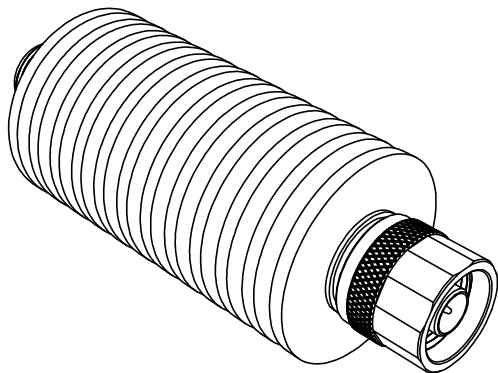
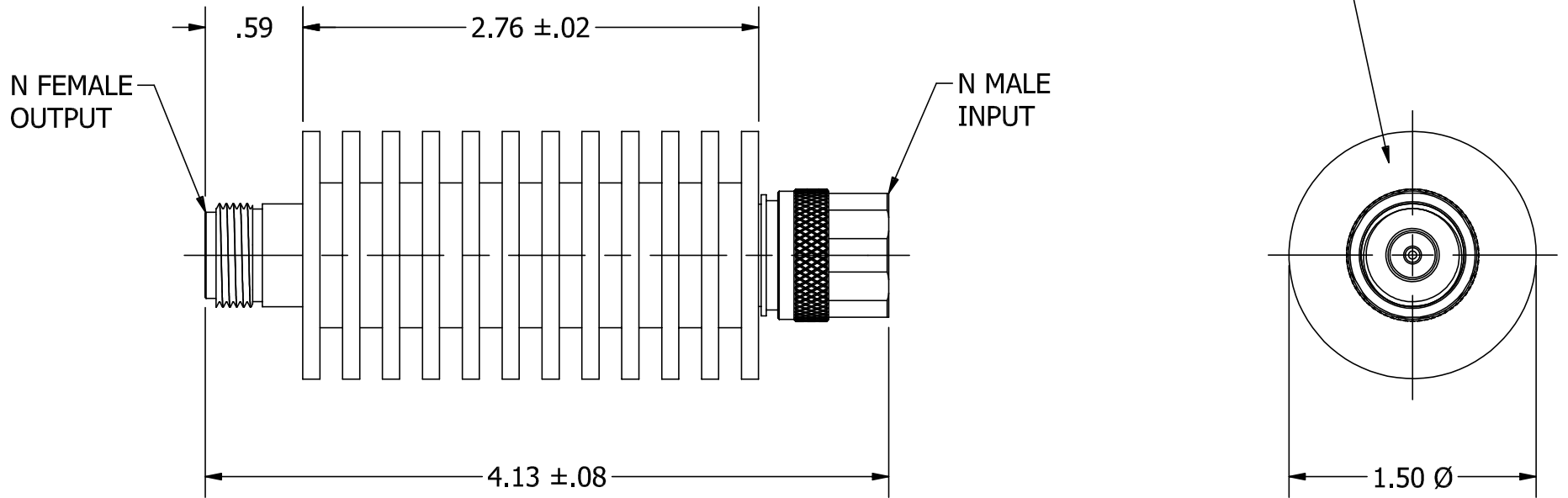


BOTH ENDS TO BE MARKED PER MODEL



REV	ECN	DATE	BY	APPR
-	ISSUED	9-6-2023	JZ	TRS
A	32900	10-4-2023	GM	JZ



**JFW INDUSTRIES, INC.**

[www.jfwindustries.com](http://www.jfwindustries.com)

PH: 317-887-1340

MATERIAL	BODY: ALUMINUM / CONNECTOR: BRASS	PROPRIETARY INFORMATION
FINISH	BODY: BLACK ANODIZE / CONNECTOR: TRI-METAL ALLOY	ALL SURFACES ARE TO BE FREE OF BURRS, PITS & SCRATCHES
MODEL	50HFFA-XXX-30/18N	TOLERANCES .XX±.010 .XXX±.005 XX°±.5°
DESCRIPTION	30 WATT FIXED ATTENUATOR	DWG # 092-10144